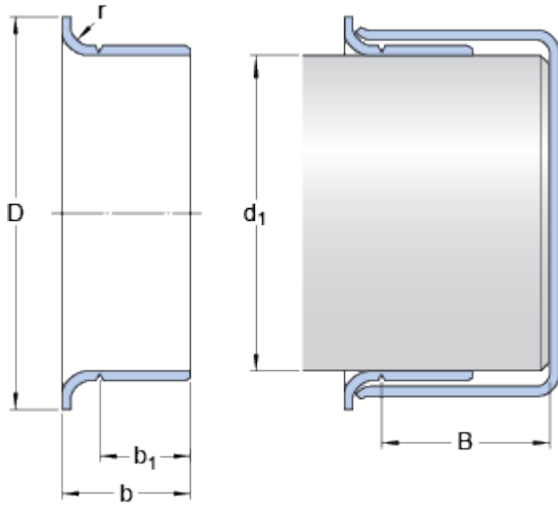


99296

Dimensions



Shaft diameter range

d_1	min.	76.124	mm
d_1	max.	76.302	mm

Nominal dimensions

d_1		76.2	mm
Tolerance \pm	width b	0.8	mm
b_1		20.65	mm
Tolerance \pm	width b_1	0.8	mm
B	max.	34.925	mm
r	max.	3.18	mm
D		82.296	mm
Tolerance \pm	outside diameter D	1.6	mm
b		23.825	mm
Tolerance \pm	width b	0.8	mm